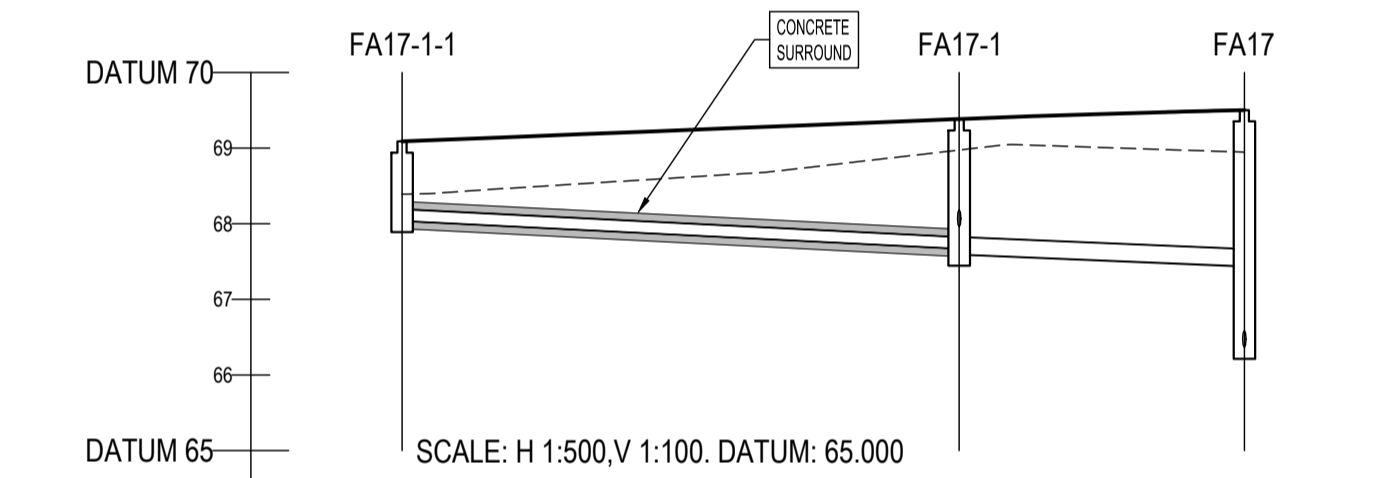
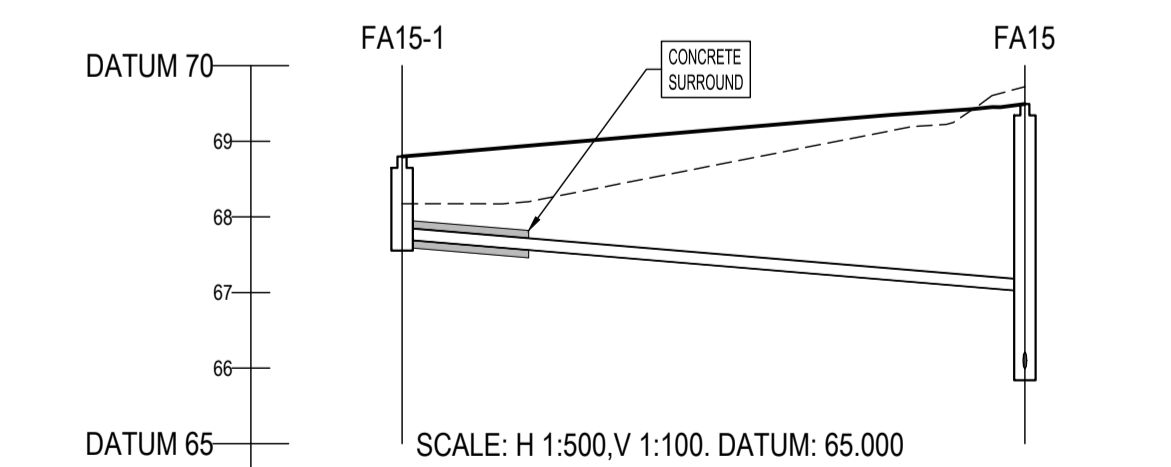


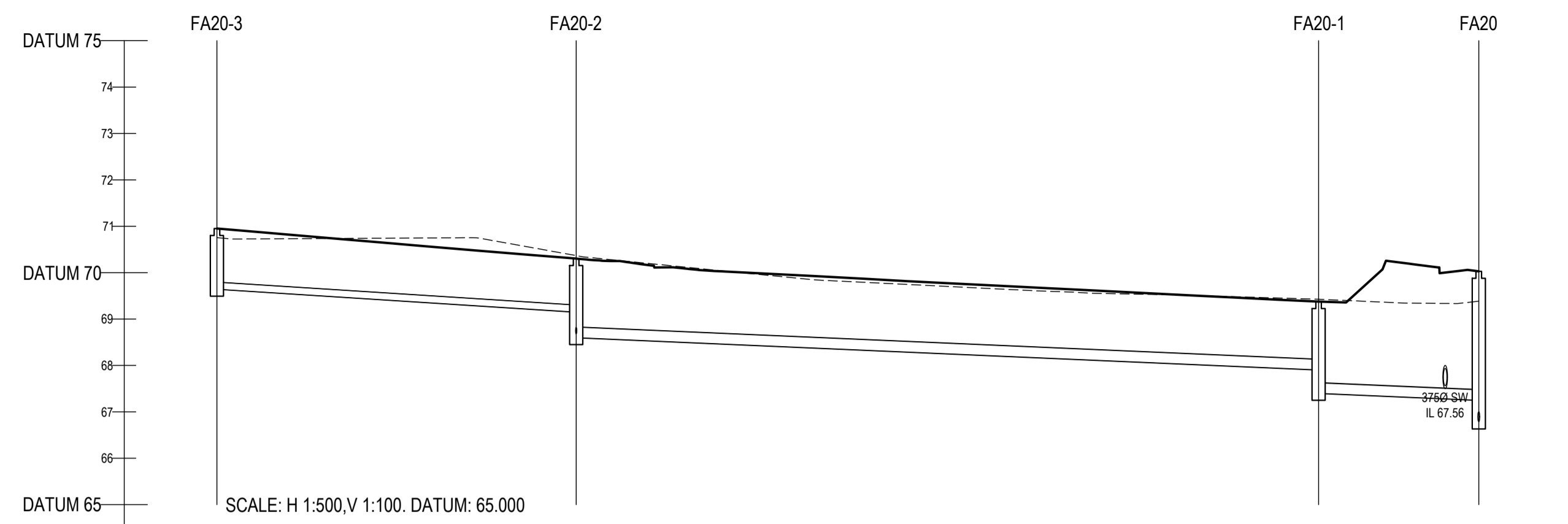
COVER LEVEL	71.451	71.215	70.060
INVERT LEVEL	69.950 3.000 69.950	69.970 1.345 69.970	68.637 3.080 68.637
DEPTH (m)	1.461	1.345	3.080
DISTANCE (m)	8.82	73.99	
PIPE SLOPE	1:110	1:60	
PIPE SIZE	150mm	225mm	
PIPE TYPE	uPVC SN8	uPVC SN8	



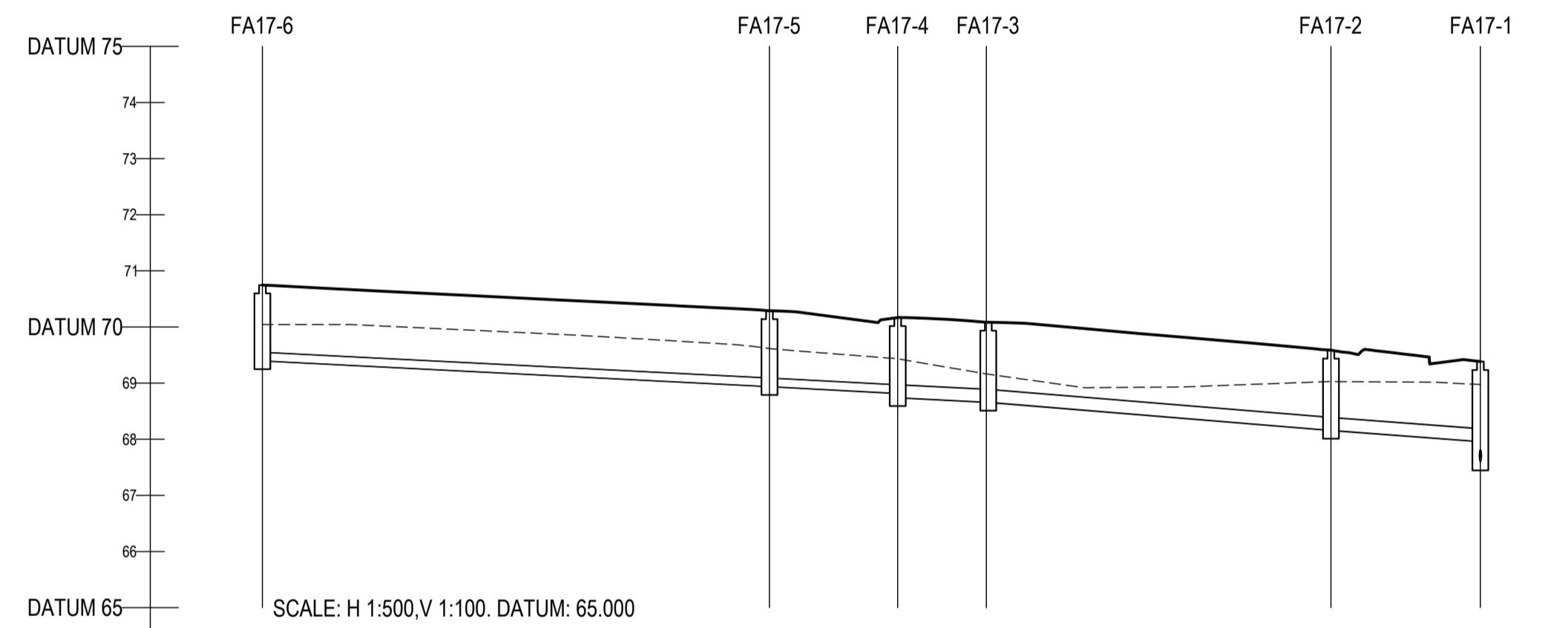
COVER LEVEL	69.888	69.384	69.503
INVERT LEVEL	68.039 7.000 68.039	67.670 67.596 67.596	67.433 6.005 67.433
DEPTH (m)	1.850	1.789	3.140
DISTANCE (m)	36.85	18.86	
PIPE SLOPE	1:100	1:120	
PIPE SIZE	150mm	225mm	
PIPE TYPE	uPVC SN8	uPVC SN8	



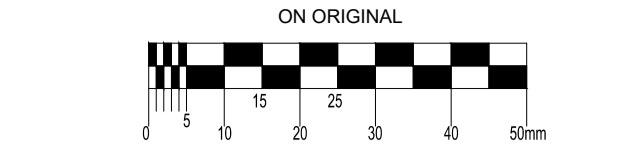
COVER LEVEL	68.797	68.492
INVERT LEVEL	67.704 8.000 67.704	67.017 3.504 67.017
DEPTH (m)	1.093	3.504
DISTANCE (m)	41.19	
PIPE SLOPE	1:60	
PIPE SIZE	150mm	
PIPE TYPE	uPVC SN8	



COVER LEVEL	70.952	70.304	68.377	70.029
INVERT LEVEL	69.644 4.000 69.644	69.149 68.600 68.600	67.904 67.400 67.400	67.250 4.002 67.250
DEPTH (m)	1.308	1.703	1.977	3.247
DISTANCE (m)	38.73	80.04	17.27	
PIPE SLOPE	1:78	1:115	1:115	
PIPE SIZE	150mm	225mm	225mm	
PIPE TYPE	uPVC SN8	uPVC SN8	uPVC SN8	



COVER LEVEL	70.748	70.288	70.167	70.086	69.587	69.384	
INVERT LEVEL	69.398 6.000 69.398	68.939 6.001 68.939	68.817 68.742 6.002 68.860	68.660 70.086 68.660	68.160 6.003 68.160	68.160 6.004 67.959	67.959 69.384 67.959
DEPTH (m)	1.350	1.350	1.405	1.425	1.427	1.789	
DISTANCE (m)	45.19	11.43	8.02	30.54	13.32		
PIPE SLOPE	1:98	1:94	1:98	1:61	1:66		
PIPE SIZE	150mm	150mm	225mm	225mm	225mm		
PIPE TYPE	uPVC SN8	uPVC SN8	uPVC SN8	uPVC SN8	uPVC SN8		



ON ORIGINAL
© COPYRIGHT OF THIS DRAWING IS RESERVED BY DBFL CONSULTING ENGINEERS. NO PART SHALL BE REPRODUCED OR TRANSMITTED WITHOUT THEIR WRITTEN PERMISSION.

NO CHANGES OF WHATSOEVER NATURE ARE TO BE MADE TO ANY DETAILS SET OUT OR CONTAINED IN ANY DBFL SPECIFICATIONS OR DRAWINGS UNLESS THE EXPRESS CONSENT HAS BEEN OBTAINED IN ADVANCE, IN WRITING, FROM DBFL.

- NOTES:
- ALL DRAWINGS TO BE CHECKED BY CONTRACTOR ON SITE AND ENGINEER INFORMED OF DISCREPANCIES BEFORE WORK COMMENCES
 - ALL LEVELS ARE IN METRES AND ARE RELATED TO ORDNANCE DATUM
 - CONTRACTOR SHALL SATISFY HIMSELF AS TO THE ACCURACY OF PAVEMENT LEVELS ON SITE PRIOR TO COMMENCEMENT OF WORKS ON SITE
 - ALL WORKS TO BE CONSTRUCTED IN ACCORDANCE WITH THE NRA SPECIFICATION FOR ROAD WORKS UNLESS NOTED OTHERWISE
 - THIS DRAWING IS FOR PLANNING PURPOSES ONLY
 - MANHOLE COVER LEVELS ARE TO CONFORM WITH FINISHED ROAD AND PATH LEVELS
 - WHERE COVER TO PIPE IS LESS THAN 1200mm (ROAD/PATH/VERGE) OR 900mm (OPEN SPACE) SURROUND PIPE IN MINIMUM 150mm CONCRETE

KEY
 - - - - - EXISTING GROUND PROFILE
 _____ PROPOSED GROUND PROFILE

P01	01-09-22	STAGE 3 SHD PLANNING	GMC	BCM
rev	date	description	by	chkd.
		A - Approved		
		B - Approved with comments		
		C - Do not use		

suitability | issue purpose
 S2 - INFORMATION | PLANNING



DUBLIN OFFICE: Ormond House, Upper Ormond Quay, Dublin 7, D07 W704
 PHONE +353 1 450 4000
 CORK OFFICE: Phoenix House, Monahan Road, Cork, T12 H1XV
 PHONE +353 (0)21 2054538
 WATERFORD OFFICE: Suite 10 The Arkum, Marzana Gate, Canada Street, Waterford, X91 W028
 PHONE +353 51 309 500

project ref.
 ASHBOURNE SHD

drawing title
 LONGITUDINAL SECTIONS THROUGH
 FOUL SEWER SHEET 2

client
 ARNUB LTD. & ASPECT HOMES (ADC)
 LTD

designed by	author	scale	sheet size
BCM	GMC	H 1:500, V 1:100	A1
drawing no.		revision	
200059-DBFL-FW-SP-DR-C-3302		P01	